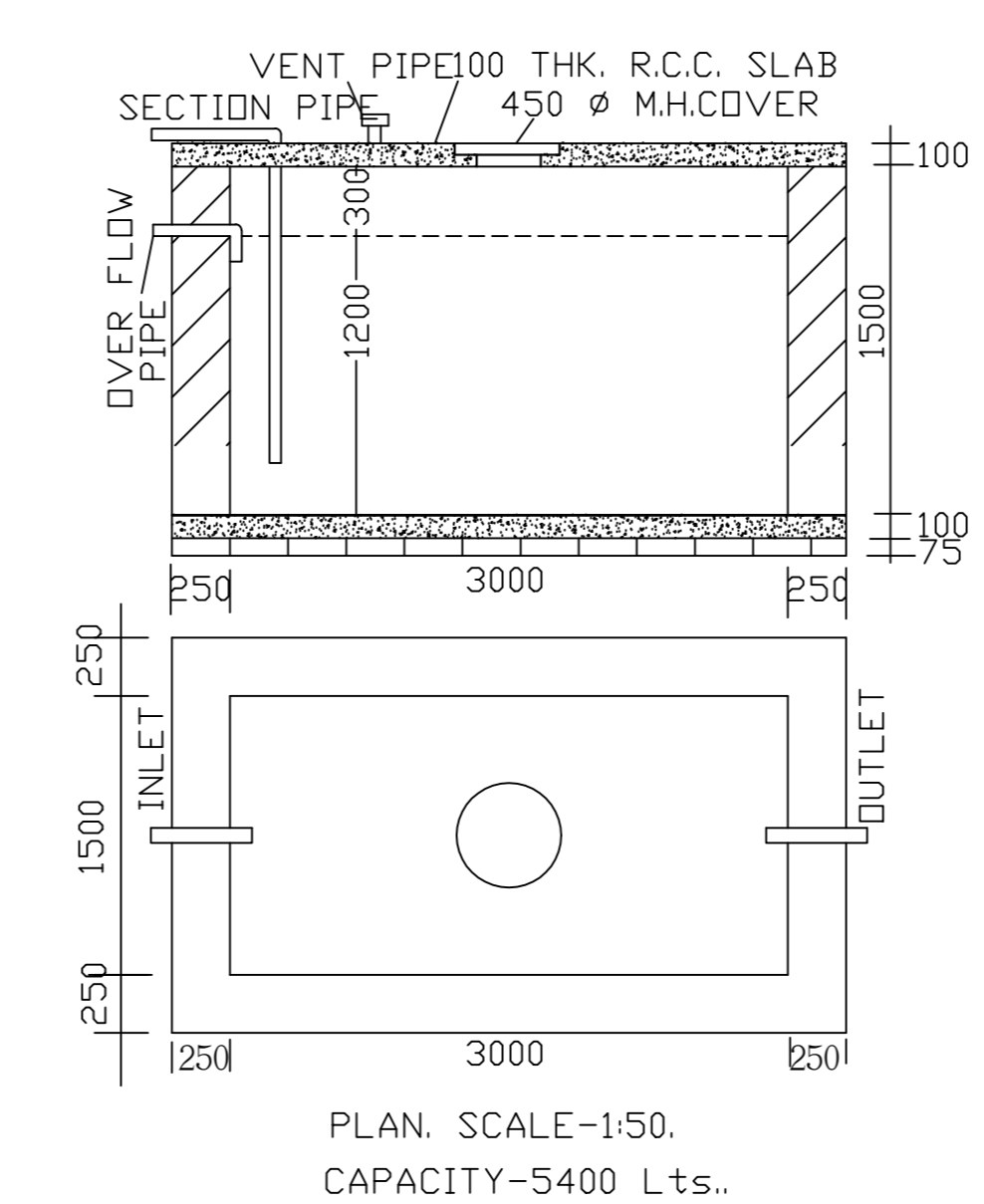
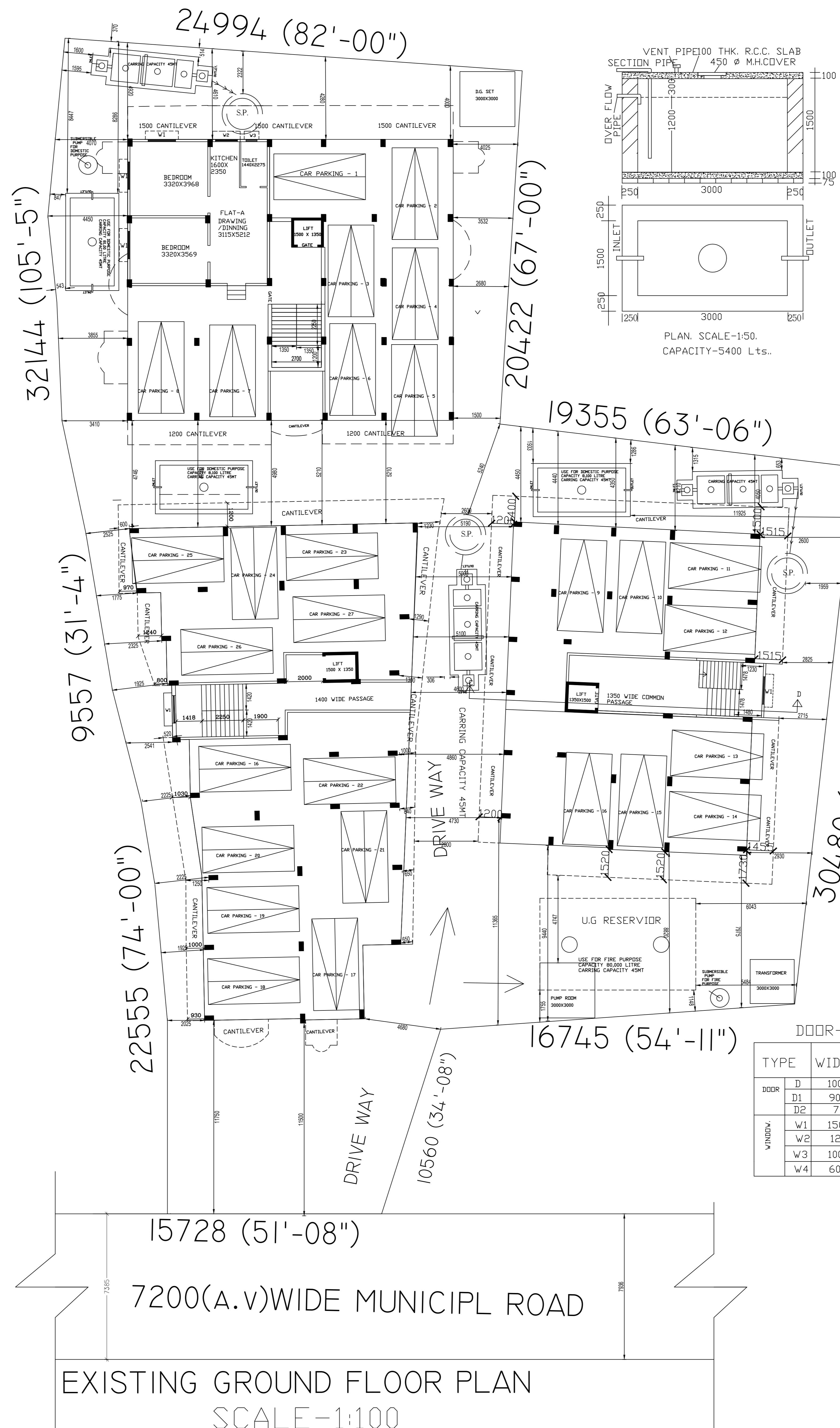
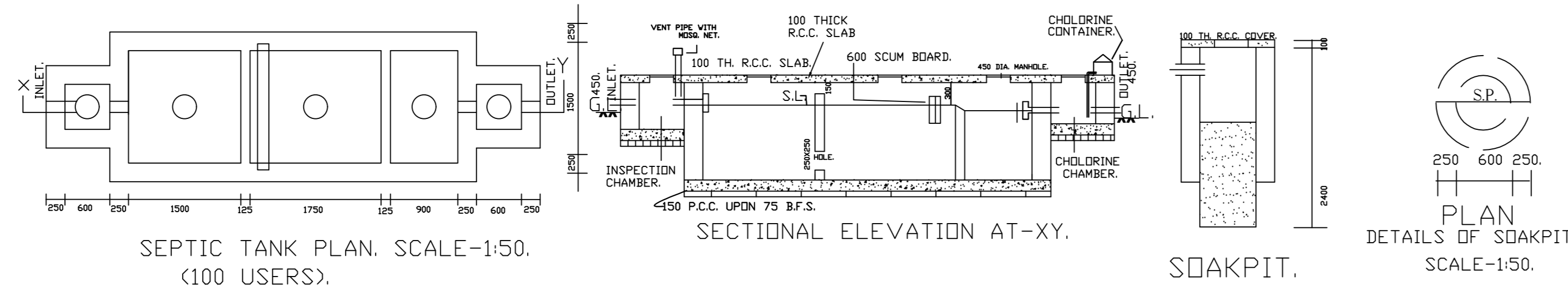


PLAN FOR EXISTING 3-NOS. BLOCKS - A, B & C OF A G+IV STORIED RESIDENTIAL PROJECT OF SAMAR GHOSH ATMOUJA-SHALEPUR, J.L.NO.-33, R.S & L.R.DAG NO.-176, UNDER KHATIAN NO.-2078, UNDER HARIHARPUR GRAM PANCHAYET, P.S.-BARUIPUR, DIST.-24 PGS.(S).



STATEMENT OF THE PLAN PROPOSAL :

AREA OF LAND AS PER DEED : 42.75 SATAK. =1730.659 SQM..

AS PER PHYSICAL =1730.567 SQM.

MEANS OF ACCESS : 7.2 M.(A.V) WIDE ROAD.

PERMISSIBLE HEIGHT :14.5 M.

TOTAL HEIGHT PROVIDED:14.5 M.

NO. OF TENANTS : 58.

IT IS CERTIFIED THAT THE BUILDING PLAN HAS BEEN DRAWN UP AS PER PROVISION OF RAJPUR-SONARPUR MUNICIPALITY. BLDG. RULES AS AMENDED FROM TIME TO TIME AND THAT SITE CONDITION INCLUDING THE WIDTH OF THE ABUTTING ROAD CONFORMED WITH THE PLAN & CERTIFIED THAT IT IS A BUILDABLE SITE AND IT IS INFORMED BY THE OWNER THAT IT IS NOT A TANK OR FILLED UP TANK . THE PLOT IS DEMARCATED BY BOUNDARY WALL.

SIG. OF ENGINEER

SIG. OF OWNERS

FOR OFFICE USE ONLY

ND. OF STOREY INDICATING: G+IV

TOTAL COVERED AREA PROVIDED : 5057.109SQM

DETAILS OF TOTAL FLOOR AREA :

BLOCK-A

AREA OF GR. FL.- 326.000 SQM.

AREA OF 1ST. FL. - 388.845 SQM.

AREA OF 2ND.FL. - 388.845 SQM.

AREA OF 3RD.FL. - 388.845 SQM.

AREA OF 3RD.FL. - 388.845 SQM.

TOTAL FLOOR AREA: 1881.38 SQM.

BLOCK-B

AREA OF GR. FL.- 237.306 SQM.

AREA OF 1ST. FL. - 322.425 SQM.

AREA OF 2ND.FL. - 322.425 SQM.

AREA OF 3RD.FL. - 322.425 SQM.

AREA OF 3RD.FL. - 322.425 SQM.

TOTAL FLOOR AREA:1527.006SQM.

BLOCK-C

AREA OF GR. FL.- 227.034 SQM.

AREA OF 1ST. FL. - 341.236 SQM.

AREA OF 2ND.FL. - 341.236 SQM.

AREA OF 3RD.FL. - 341.236 SQM.

AREA OF 3RD.FL. - 341.236 SQM.

TOTAL FLOOR AREA:1591.978SQM.

SPECIFICATION

FOUNDATION- ISOLATED COLUMN FOOTING WITH PROPER REINFORCEMENTS AND CONCRETE MIX M25

BRICKWORK- IN CEMENT MORTAR WITH CEMENT SAND MIX 1:6 IN 200 THK WALL, AND IN 125/75 MM THK WALL. CEMENT SAND MORTAR IS 1:4

LINTELS, ROOF- R.C.C ACCORDING TO STRUCTURAL DRAWING.

FLOORING -MARBLE FLOORING.

PLASTERING -CEMENT SAND MORTAR IN 1:5.

WOODWORK -SAL WOOD FOR DOOR FRAME AND FLUSH DOOR FOR SHUTTER.

GRILL WORK -MILD STEEL GRILL FOR WINDOWS, HANDRAIL AND COLLAPSIBLE GATE FOR MAIN ENTRANCE.

